

Clamping Ring with Wing Nut

INFICON ISO-KF fittings are manufactured according to ISO 2861/1, DIN 28403 and Pneurop 6606. Our quality fittings are the standard components for all vacuum and high vacuum applications. The high quality INFICON components are designed and tested for leak rates less than 1×10^{-9} mbar l/s.



BENEFITS

- Competitively priced
- Design and measures follow strictly international respected standards
- World wide logistics
- 2011/65/EU RoHS compliant

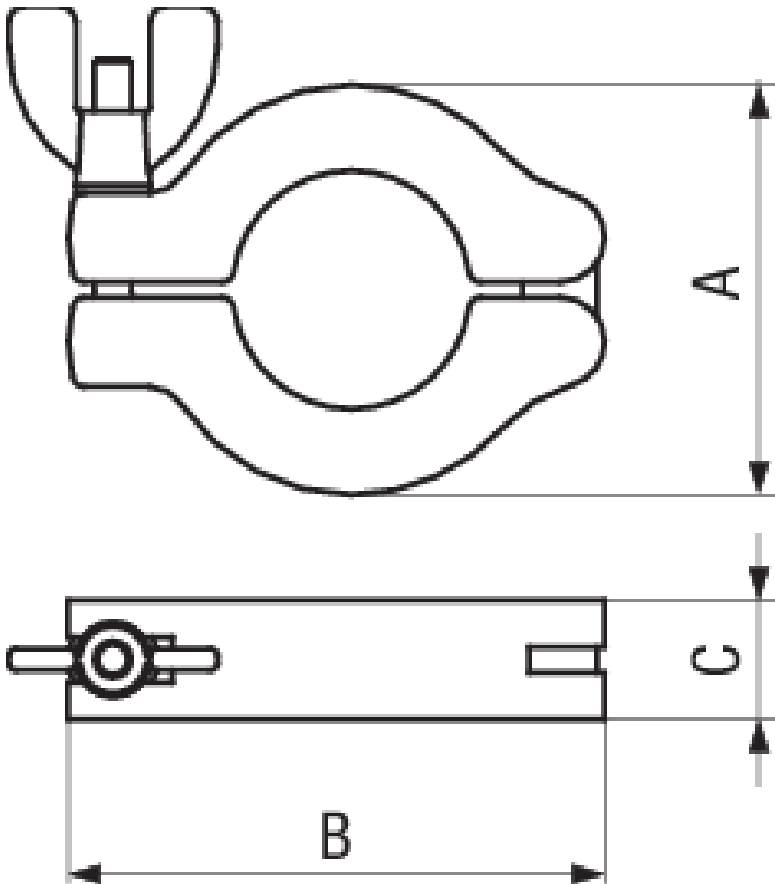
ORDER INFORMATION

Type	DN 10 - 16 ISO-KF	DN 20 - 25 ISO-KF	DN 32 - 40 ISO-KF	DN 50 ISO-KF
Clamping ring DN 10-16 ISO-KF	211-001			
Clamping ring DN 20-25 ISO-KF		211-002		
Clamping ring DN 32-40 ISO-KF			211-003	
Clamping ring DN 50 ISO-KF				211-004

SPECIFICATIONS

Type	DN 10 - 16 ISO-KF	DN 20 - 25 ISO-KF	DN 32 - 40 ISO-KF	DN 50 ISO-KF
Dimension A	45	55	70	95
Dimension B	61	72	90	123
Dimension C	16	16	18	25
Clamping ring half:	Aluminum 380.0	Aluminum 380.0	Aluminum 380.0	Aluminum 380.0
Bolt:	Steel nickel plated	Steel nickel plated	Steel nickel plated	Steel nickel plated
Nut:	Zinc alloy nickel plated	Zinc alloy nickel plated	Zinc alloy nickel plated	Zinc alloy nickel plated

DIMENSIONS



www.inficon.com reachus@inficon.com

Due to our continuing program of product improvements, specifications are subject to change without notice. RateWatcher is a trademark of INFICON. All other trademarks are the property of their respective owners.

(2018-09) © 2018 INFICON